



ThinkGrow

Model-V Horticulture LED Grow Light

User Manual



ThinkGrow

Powered by TroiMaster
Assembled in China
www.thinkgrowled.com
support@thinkgrowled.com



◆ OVERVIEW

The Model-V is a high performance LED grow light for the horticulture cultivation. It is designed for vegetative cultivation practices in commercial cultivation or home hobbyists cultivating without CO2 supplementation. Full spectrum design covers each critical phase of growth from vegetative to flowering. An independent Far Red 730nm channel is designed to target Phytochrome Far Red in photomorphogenic lighting applications. Base on research, introducing far-red light after the lights have been turned off can lengthen the dark period to encourage the flowering process.

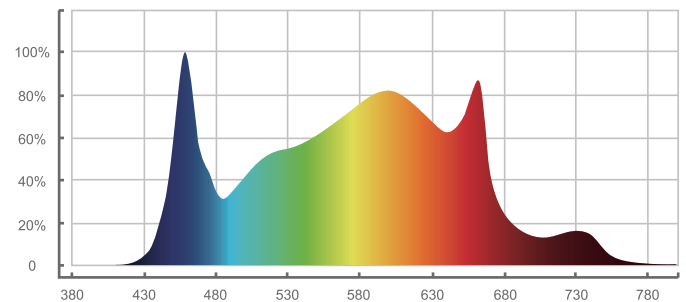
*Recommend introducing Far Red light for 15mins after day cycle. Light controller is required.

- Outstanding Efficiency
- Plug and Play for a quick installation
- On-board Dimming
- Independent Far Red 730nm channel
- External Controllability with 256 fixtures per channel
- Group Control Capability

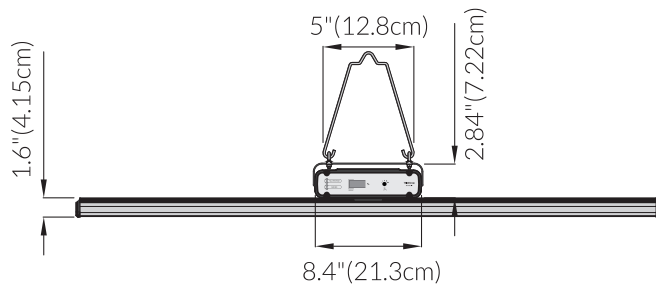
◆ SPECIFICATIONS

PPF:	> 900 $\mu\text{mol/s}$
Efficacy:	> 2.6 $\mu\text{mol/J}$
Input Power:	Max 350W (Full Spectrum) / 10W (Far Red)
Input Voltage: Voltaje de entrada:	100-277VAC,50/60Hz 100-277VAC,50/60Hz
Certificatiins: Certificación :	ETL/FCC ETL/FCC
Power Factor:	$\geq 90\%$
Degree of ingress Protection: Indice de protection	IP56 IP56
Fixture Dimensions/Weight:	45"L x 44.6" W x 4.44" H / 23.62 lbs
Mounting Height:	> 6" (15.2cm) Above Canopy
Lifetime:	L90 : > 54,000 hrs
Warranty:	5 Years Standard Warranty
Amp Draw:	120V/2.63A, 240V/1.34A, 277V/1.2A
Working Environments:	Temperature 32-104 °F
	Humidity $\leq 90\%$

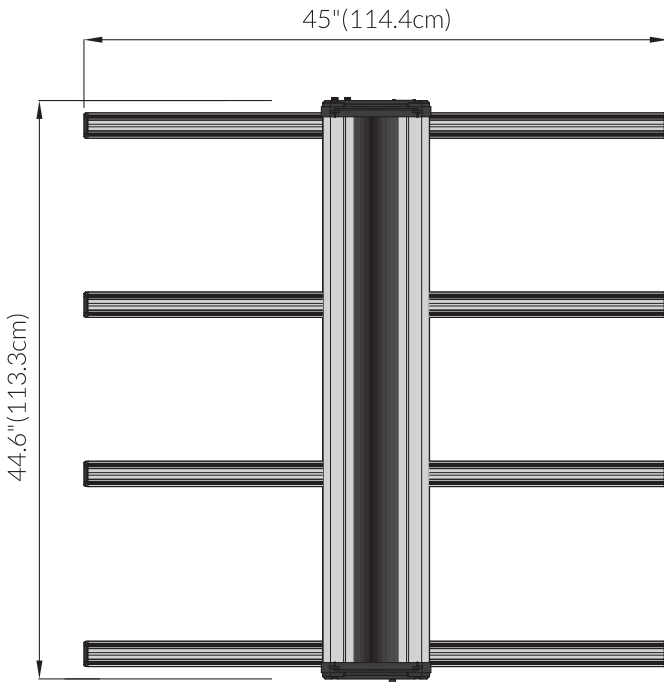
◆ SPECTRA



◆ PRODUCT DIMENSION



SIDE VIEW



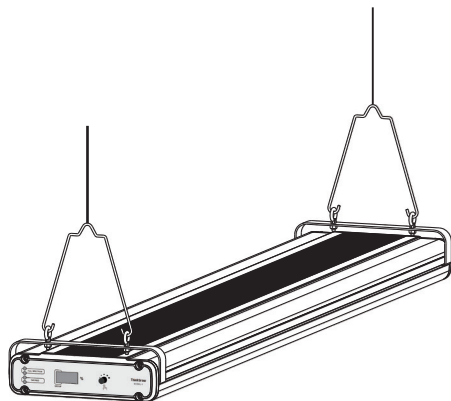
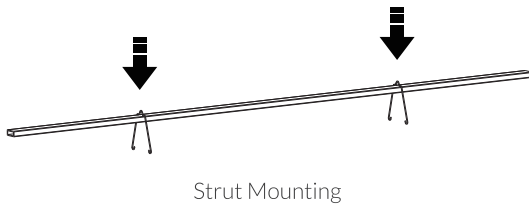
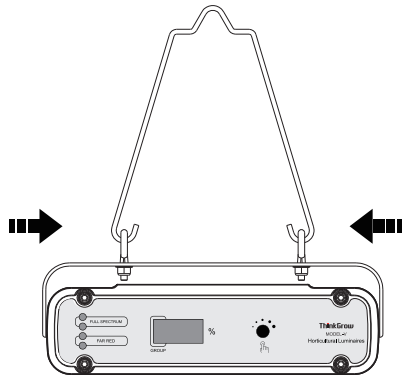
TOP VIEW

◆ WARNINGS

- Before installing, servicing, or performing routine maintenance, follow these general precautions.
- For the installation: if you are unsure about the installation or maintenance of this fixture, consult a qualified licensed electrician and check your local electrical code.
- Do not make or alter any open holes in an enclosure of wiring or electrical components during kit installation.
- Turn off the power and unplug fixture when you perform any maintenance.
- Verify that supply voltage is correct by comparing it with the information on spec label.
- Avoid hitting, bending or causing mechanical stress to the fixture.
- DO NOT cover or block any part of the fixture during operation.
- To clean lens, use a mild soap or detergent (e.g. common dishwashing liquid) and lukewarm water using a clean soft cloth.
- Always provide a well-ventilated environment where ambient temperatures do not exceed 40°C (104°F) regardless of whether the fixtures are in operation or off. Excessive temperatures can inhibit performance and may cause damage or shorten the life of the fixtures and void the warranty.

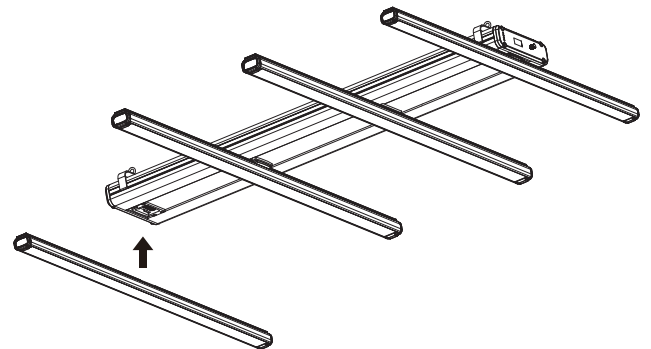
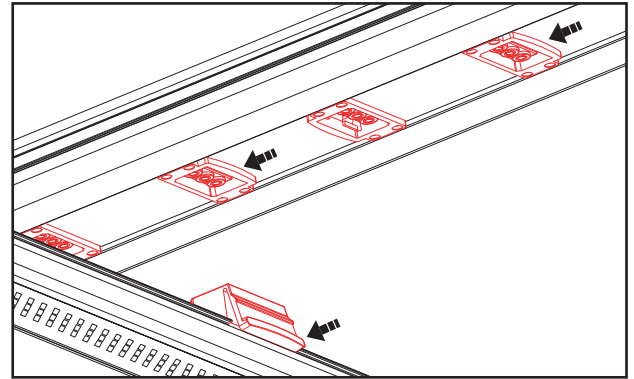
◆ INSTALLATION

1. Driver Mounting

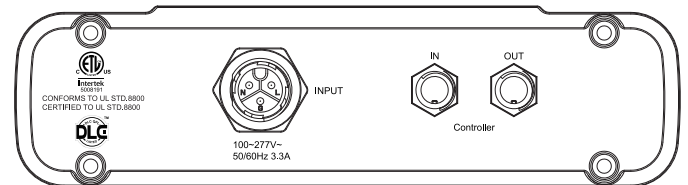


Suspended Mounting

2. Light bars Mounting



3. Connecting Power

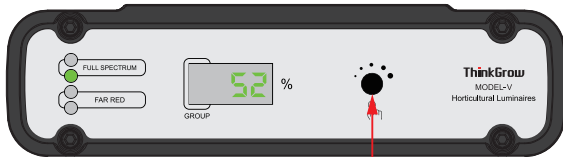


Use the 240V power cord with a Push-lock water proof connector to connect power to the fixture input power port.

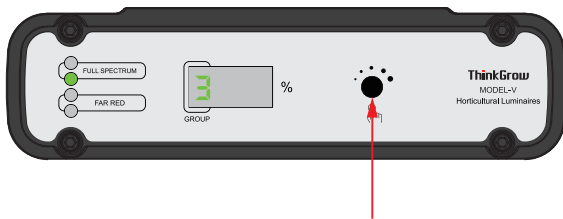
4. Connecting Controller (Optional)

The Model-V only compatible with TrolMaster Hydro-X control system. With the TrolMaster lighting adaptor LMA-T, two spectrum channels can be controlled individually to adjust the spectrum from the Hydro-X controller. One LMA-T adaptor could run up to 256 fixtures.

◆ ON BOARD OPERATION



Press to change channel, rotate to adjust power.



Press and hold 5 seconds to enter Group mode.

Rotate to assign group.

(* Special controller required on Group Control)

◆ 5 YEARS LIMITED WARRANTY

ThinkGrow warrants its LEDs to be free from defects in materials and workmanship. The warranty term is for 5 years beginning on the date of purchase. Misuse, abuse, or failure to follow instructions is not covered under this warranty. The warranty liability extends only to the replacement cost of the product. ThinkGrow will not be liable for any consequential, indirect, or incidental damages of any kind, including lost revenues, lost profits, or other losses in connection with the product. Some states do not allow limitation on how long an implied warranty lasts or the exclusion of incidental or consequential damages, so the above limitations or exclusions may not apply to you. ThinkGrow will, at our discretion, repair or replace its products covered under this warranty if it is returned to the original place of purchase.