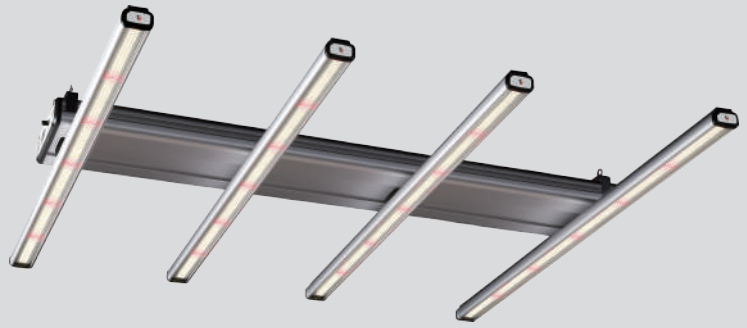




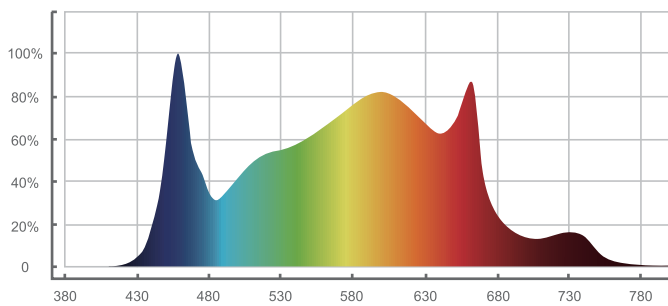
Model-V Horticulture LED Grow Light



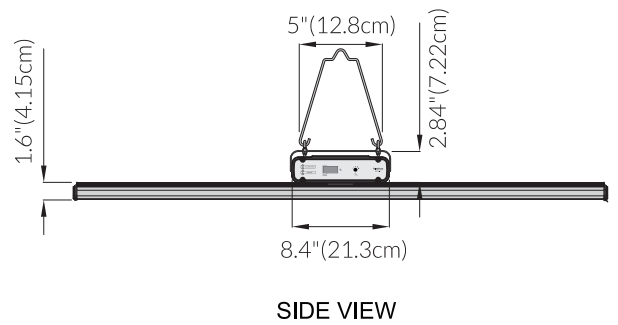
## THINK BIG, GROW FAST

MODEL-V LED GROW LIGHT

### ◆ SPECTRUM



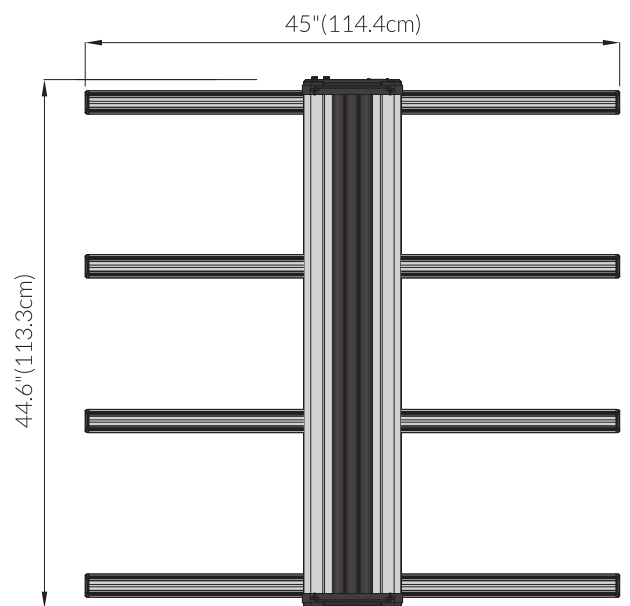
### ◆ DIMENSIONS



SIDE VIEW

### ◆ FEATURES

- OUTSTANDING EFFICIENCY
- PLUG AND PLAY
- ON-BOARD DIMMING
- FULL SPECTRUM DESIGN
- INDEPENDENT FAR RED CHANNEL
- EXTERNAL CONTROLLABILITY
- GROUP CONTROL



TOP VIEW

## ◆ SPECIFICATIONS

PPF:	> 900 $\mu\text{mol/s}$
Efficacy:	> 2.6 $\mu\text{mol/J}$
Input Power:	Max 350W (Full Spectrum) / 10W (Far Red)
Power Factor:	$\geq 90\%$
Fixture Dimensions/Weight:	45"L x 44.6" W x 4.44" H / 23.62 lbs
Mounting Height:	> 6" (15.2cm) Above Canopy
Lifetime:	L90 : >54,000 hrs
Warranty:	5 Years Standard Warranty
Input Voltage:	Autosensing 100-277 V
Amp Draw:	120V/2.63A, 240V/1.34A, 277V/1.2A



Powered by TrolMaster  
[www.thinkgrowled.com](http://www.thinkgrowled.com)  
[support@thinkgrowled.com](mailto:support@thinkgrowled.com)



Horticultural Lighting / Not suitable for household illumination.