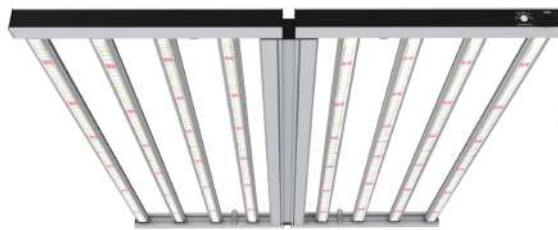


ASA GREEN 1000W LED PRO

RGGE10008FSA Full Spectrum

Maximize Yields & Indoor Cannabis Lighting Solution



Full Spectrum

- Easy to replace the HPS.
- Make THC over 26% increase.

2910 μ mol/S

- Over 2.9 μ mol/w at 880w (8 bars).
- Ultra wide spectrum.

Wet location / IP65

- Make planting easier.
- Easily sterilized.

>97% light transmission

- Durable glue cover.
- Never turn yellow & better light transmission.

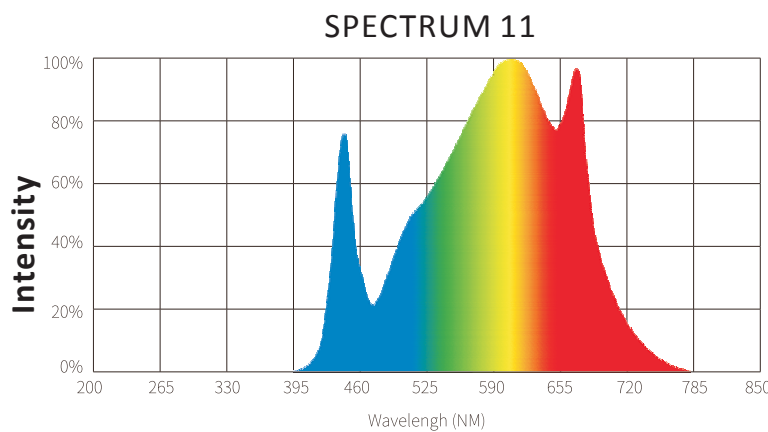
Suitable for GMP & GACP facility

- Sealed shut.
- No fans.

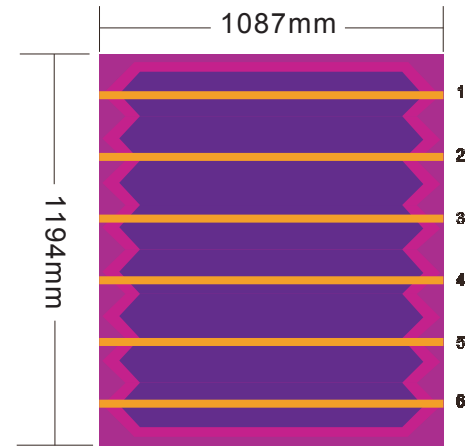
ASA GREEN 1000W LED PRO

RGGE10008FSA Full Spectrum

This Lighting RGGE10008FSA model is the result of many years of research between artificial light and the cannabis by foreign universities and professional institutions. It will bring consistent yield performance to your cannabis business. Also it's an ideal solution to replace the sodium lamp and help you maximize your revenues.



Spectral Distribution



Installation Height: 11.8" (30cm) above plant canopy

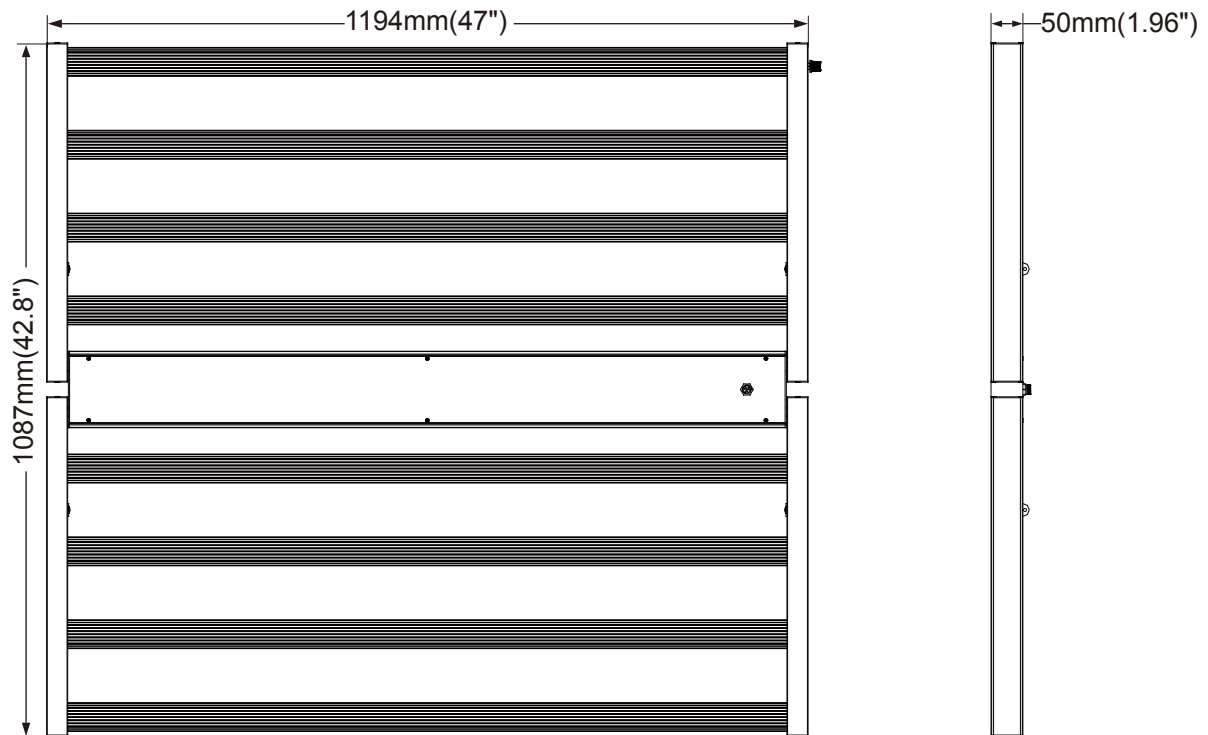
PPFD > 800 $\mu\text{mol}\cdot\text{s}\cdot\text{m}^2$
30cm Install Height

SPECIFICATION

Item	RGGE10008FSA
Wattage(5%)	1000W
PPF(5%)	2910 $\mu\text{mol}/\text{s}$
Efficacy (380 nm ~ 820 nm)	2.9 $\mu\text{mol}/\text{J}$
Input Voltage	AC100-277V 50/60Hz
Driver Brand	Mean Well / Sosen / Inventronics
Light source	SAMSUNG LEDs 2880PCS + Osram 660nm Red leds 96pcs
Dimming	0-10V DIMMING (SWITCH/MASTER CONTROLLER OPTIONS)
Power factor	>0.93
Material	6063 Aluminum + silicone cover
Thermal Management	Passive Cooling
Mounting Height	$\geq 6"$ (15.2cm) Above Plant Canopy
Warranty	5 years
Certifications	ETL / DLC
IP rating	UL 1598 – suitable for damp / wet locations, CE-IP65 rated
Ambient operating temperature	14 ~ 104 °F (-10 ~ 40 °C)
Fixture Dimensions Weight	39.17" L x 2.12" W x 1.26" H 1.1lb 1194mm L x 1087mm W x 50mm H 12.5kg

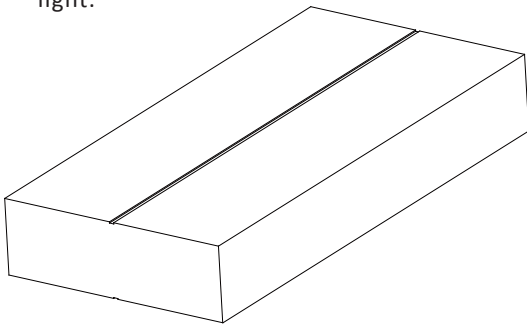
ASA GREEN 1000W LED PRO

RGGE10008FSA

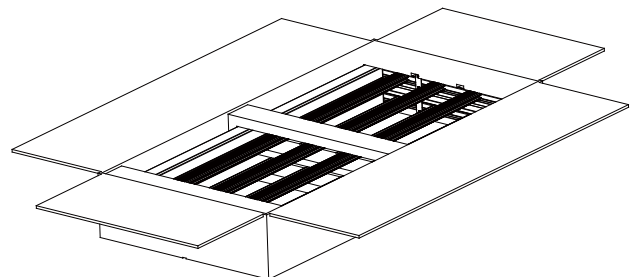


Installation:

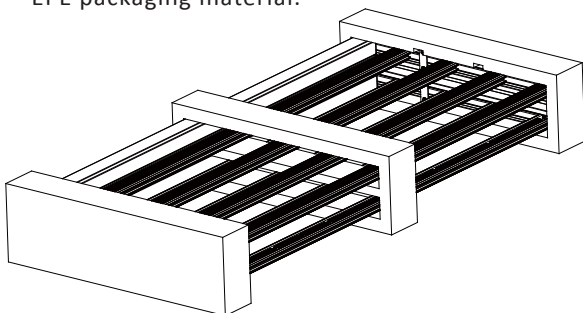
- 01** Unbox the led grow light.



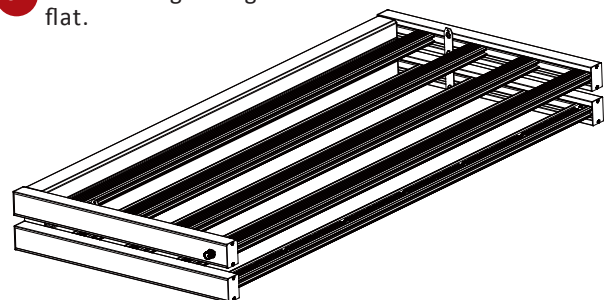
- 02** Take the led grow light out of the box.



- 03** Unload the protection EPE packaging material.



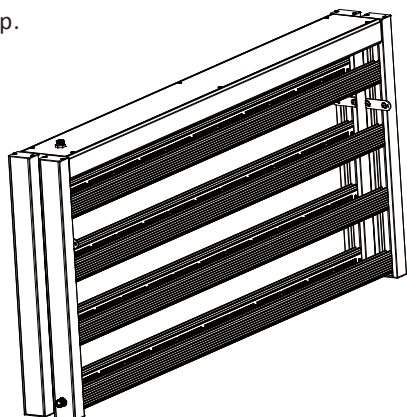
- 04** Put the led grow light on flat.



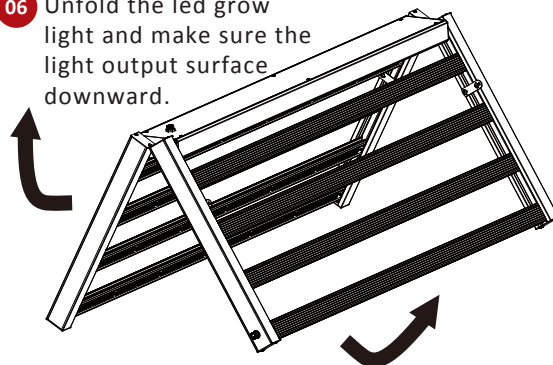
ASA GREEN 1000W LED PRO

RGGE10008FSA Full Spectrum

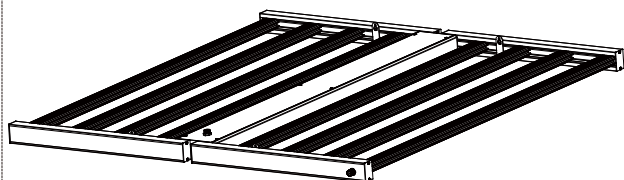
05 Put it up.



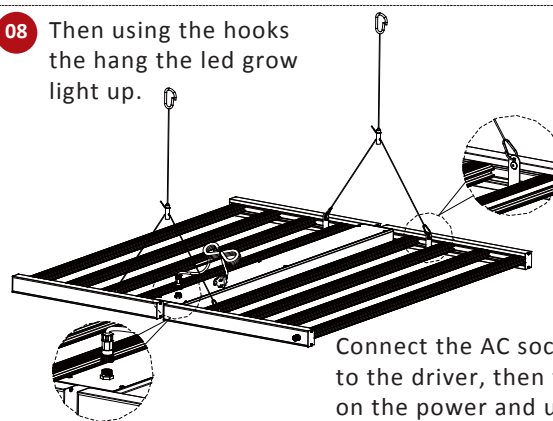
06 Unfold the led grow light and make sure the light output surface downward.



07 After unfold the led grow light, put it on the flat.

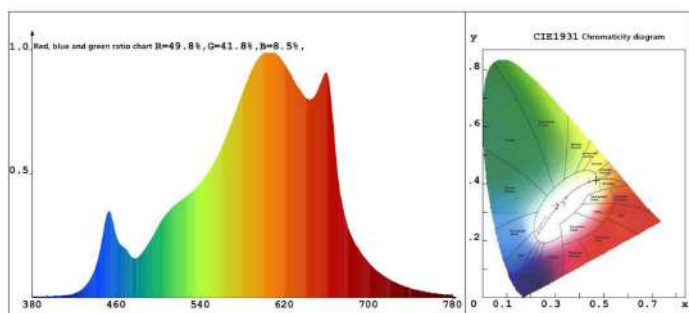


08 Then using the hooks the hang the led grow light up.

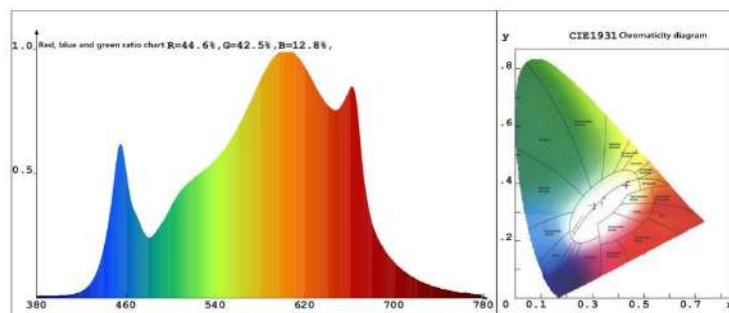


Connect the AC socket to the driver, then turn on the power and use it.

More Spectrum:



Spectrum-F1W27



Spectrum-F2W30