

WARRANTY INFORMATION

Your pureAir SOLO Personal Air Purifier is warranted to be free from all defects in material and workmanship in normal household use for a period of 1 Year from date of purchase. The warranty is granted only to the original purchaser and members of his or her immediate household. The warranty is subject to the following provisions. Any damage or malfunctions caused by negligence, abuse, or use not in accordance with the Owner's Manual are not covered by this warranty. Likewise, any defects or damages caused by unauthorized service are not covered. GreenTech Environmental will, at its option, repair or replace a defective Air Purifier that is covered by this warranty. As a matter of policy, GreenTech will not refund the customer's purchase price. To obtain warranty service you must return the defective Air Purifier along with proof of purchase to the GreenTech Authorized Warranty Station. All transportation charges on parts, or units, submitted under this warranty shall be borne by the purchaser. Unless this warranty is expressly renewed or extended by GreenTech, any repaired or replaced part of the unit shall be warranted to the original purchaser only for the length of the unexpired portion of the warranty.

Visit www.GreenTechEnv.com/warranty to register your pureAir SOLO.

FURTHER LIMITATIONS AND EXCLUSIONS ARE AS FOLLOWS:

Any warranty that may be implied in connection with your purchase or use of the Air Purifier, including any warranty of merchantability or any warranty for Fitness For A Particular Purpose is limited to the duration of this warranty. Some states do not allow limitations on how long an implied warranty lasts, so the above limitations may not apply to you.

Your relief for the breach of this warranty is limited to the relief expressly provided above. In no event shall GreenTech be liable for any consequential or incidental damages you may incur in connection with your purchase or use of the Air Purifier. Some states do not allow the exclusion or limitation of incidental or consequential damages, so the above limitation or exclusion may not apply to you. This warranty gives you specific legal rights, and you may also have other rights which vary from state to state.

MAINTENANCE

This unit requires no maintenance, other than the suggested monthly cleaning. If you are experiencing any technical issues, please visit our website and submit a contact form or call us.

www.GreenTechEnv.com

or

1-800-957-1136

CLEANING NOTES

A buzzing noise is not uncommon and is caused by contamination on the ionizer electrode. This can typically be stopped by a quick blast of air from your mouth or from canned air into the top of the unit. Regular cleaning and maintenance should also be followed as some contaminants require the use of alcohol to remove.

To maintain proper operation, and avoid damage to the unit, please follow all cleaning instructions on the next page.

CLEANING INSTRUCTIONS

CAUTION: Sticking anything into the Purification Output Nozzle (the round opening in the grill) will permanently damage the emitter, rendering the unit useless and will void the warranty.

CAUTION: Avoid using any liquid (besides isopropyl or rubbing alcohol) to clean the unit. Getting your unit's internal components wet will permanently damage the unit, rendering it useless and will void the warranty.

To maintain proper operation, and avoid damaging the unit, follow these instructions.

1. Turn the unit OFF and remove it from your neck.
2. Spray a small amount of isopropyl or rubbing alcohol directly onto the Grille and into the Purification Output Nozzle, which are the plate and round opening on the top of the unit. Allow to work in for 30 seconds.
3. Use canned air or blow into the top of the unit to dislodge the particulates which adhere to the ionizer electrode.
4. Vacuum the Purification Output Nozzle and Air Intakes



pureAir SOLO

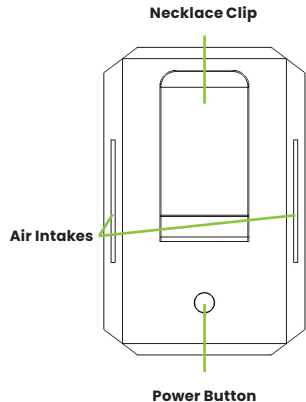
PERSONAL AIR PURIFICATION



Owner's Manual

UNIT DIAGRAMS

REAR

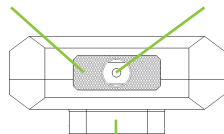


UNIT DIAGRAMS

TOP/BOTTOM

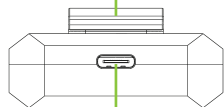
TOP

Grille Purification Output Nozzle



BOTTOM

Necklace Clip



Charging Port

SPECIFICATIONS

Model:

1X5260

Dimensions:

49 mm W x 75 mm H x 17 mm D

Weight:

2.22 oz (64g)

Battery Type:

Rechargeable Lithium

Battery Life:

28 hours (After 5 Hour Charge)

Charging Cable:

Micro USB
(Wall Plug Not Included)

Accessory:

Breakaway Necklace

Ion Density:

50 Million Ions/cc

Ozone Output:

Less than .03 ppm

GETTING STARTED

1. Place your Necklace through the Necklace Clip on the back of the unit.

NOTE: For optimal performance, be sure to use the neck strap instead of attaching the clip to your shirt or pocket. The unit will need to have a centered placement to ensure your breathing space is completely covered.

2. Press the Power Button on the back of your unit to turn the unit ON or OFF.

NOTE: The unit operation is not always noticeable; to make sure it is working, raise it to your face to feel a slight breeze emitting. If you feel nothing but your blue light is on, see the Maintenance section of this manual.

SAFETY INSTRUCTIONS

This product complies with the maximum allowable concentration of ozone of 0.050 parts per million by volume (ppmv) in a 24 hour period.

BATTERY CHARGING

1. With the unit in the OFF position, place the supplied Micro USB Cable into the Charging Port on the bottom of the unit and the other end into your wall charger or powered USB port.
2. The Power Button will light up Red when charging and will turn Green once the unit is fully charged.

OPERATING INSTRUCTION OF USB SUPPLY SOURCE

- A. The product is not to be operated by any supply sources other than those specified in (B).
- B. The product is to be used with only the following products:
 1. Information and communication technology equipment.
 2. A Class 2 Power Unit