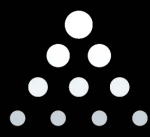


HIGH EFFICIENCY AC POWERED VENTURI FANS

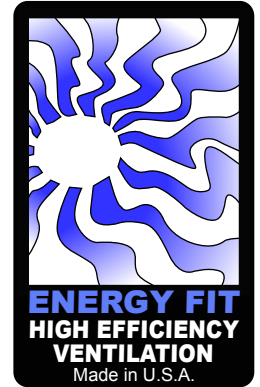


FOGCO



ENERGY FIT 1555 CFM 12" HPEC SNAP-FAN

- High Performance (HP) Line, more power and more air than our standard 12" Snap-Fan.
- Infinitely Variable Speed. 0-10 V or discrete speed operation.
- High efficiency industrial grade Electronically Commutated Motor. 100-277 VAC 50/60 Hz.
- Motor made in USA. Water resistant, O-ring seals, IP54. Includes liquid tight conduit with 5ft lead wires.
- 30-70% more efficient than competing fans.
- Control the speed of up to 40 fans with the Snap-Fan speed controller.
- Soft start, thermal roll back and locked rotor protection are standard features.
- Fan speed range and output can be custom configured to fit your application.
- Patented low vibration aerodynamic motor mounting system reduces noise and improves efficiency.
- Glass reinforced polypropylene airfoil blade offers high efficiency, smooth performance and durability.
- Rugged corrosion resistant frame molded to maximize airflow.
- All parts serviceable and/or replaceable.
- 5 year warranty covering parts and labor.



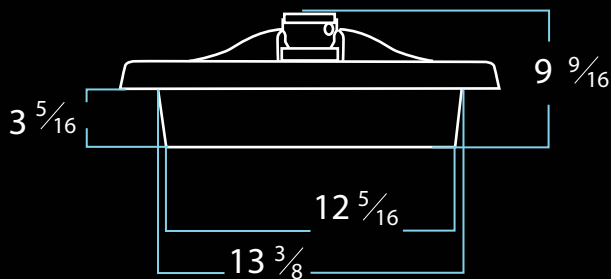
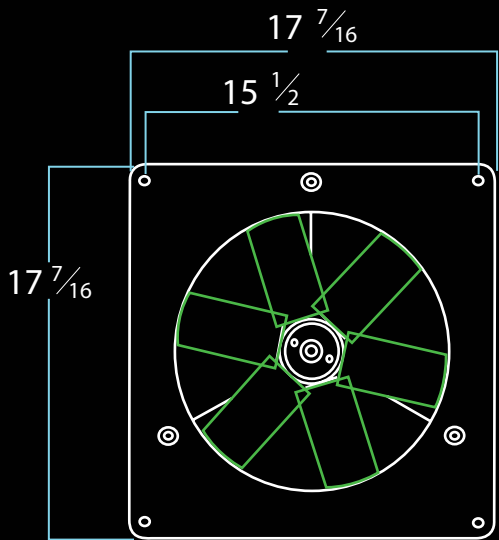
SNAP-FAN HIGH PERFORMANCE

Fogco
600 S. 56th Street, Suite #9
Chandler, AZ 85226

T: (800) 607-6478
E: info@fogco.com
W: fogco.com



12" HP EC SNAP-FAN



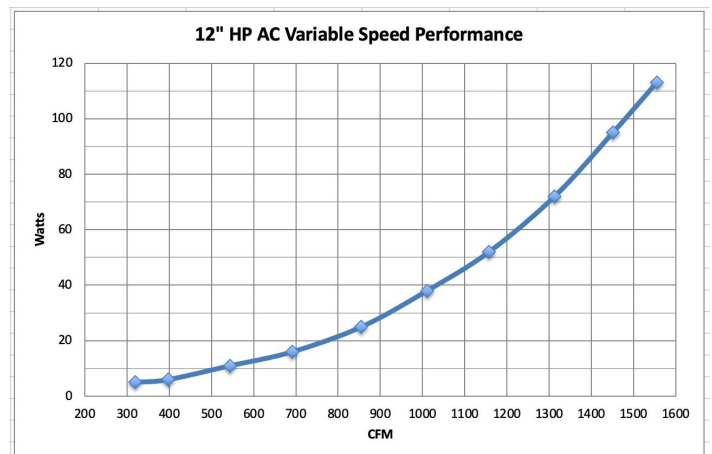
ELECTRICAL EQUIPMENT. CHECK WITH LOCAL BUILDING CODES AND YOUR LICENSED CONTRACTOR BEFORE INSTALLING.

HAND ASSEMBLED IN U.S.A.
BY FOGCO PATENTED DESIGN

Continuously Variable Speed Control

120 VAC	STATIC PRESSURE (IN H ₂ O)	AIRFLOW (CFM)	RPM	AMPS	WATTS	CFM/WATT
100% DUTY CYCLE	0.00	1555	1800	1.50	112	13.9
	0.05	1500	1796	1.55	116	12.9
	0.10	1452	1793	1.61	120	12.1
80% DUTY CYCLE	0.00	1312	1520	1.00	72	18.2
	0.05	1252	1516	1.02	74	16.9
	0.10	1196	1513	1.03	77	15.5
60% DUTY CYCLE	0.00	1010	1170	0.56	38	26.6
	0.05	933	1166	0.59	39	23.8
	0.10	849	1163	0.60	41	20.9
40% DUTY CYCLE	0.00	691	800	0.27	18	38.4
	0.05	573	796	0.28	17	33.7
	0.08	445	793	0.32	20	22.3
20% DUTY CYCLE	0.00	397	460	0.10	6	66.2
	0.05	359	459	0.11	7	51.3
	0.02	301	458	0.11	7	43.0

Chart represents five RPM points



Electronically Commutated Motor Features

- Patented design
- Infinite Variable Speed Control 0-10 volts
- Uses 40% - 60% less energy than PSC motors
- Cooler operating temperatures
- Longer motor life
- 100-277 VAC 50/60 Hz single phase
- Locked rotor, overload, and thermal roll back protection
- Integrated control with sealed construction
- Durable ball bearing construction for long commercial life
- UL & CSA recognized, IP54
- Designed and assembled in the USA