

SYSTEM INFORMATION

With this superior fisheye lens and revolutionary green LED illuminator rings, the Green Diamond camera can realize 360° surveillance and high definition environment management. It is widely applicable in locations such as indoor agriculture of various plant types, public safety corridors, and many more.



GREEN DIAMOND | IGS-IPSD-12MP

IK10: The enclosure can stand the punch more than 5 times from a 5 kg hammer falling from a height of 40 cm (Impact energy is 20J). **Wide voltage:** The camera allows $\pm 30\%$ (for some power supplies) input voltage tolerance (wide voltage range), and it is widely applied to outdoor environment with instable voltage.

FUNCTION | DAY/NIGHT

InfraGreen Systems Day/Night function provides a vivid color image if lighting is adequate; when the ambient becomes inadequate, it switches to night mode and provides high output light of any desired color from the embedded LED rings. It can guarantee that the network camera can work normally when illuminance changes and ensures human safety within normally dark environments.

- 1/1.7" Megapixel ProgressivScan
- H.265/H.264 Dual-Stream Encoding
- Max 15 FPS @12mp(4000x3000)
- Multiple Dewarped Mode
- Day/Night(IGS)
- Smart Detection
- Max Green LEDs Length 10m.
- IP67, IK10, PoE

PROTECTION (IP67, IK10, WIDE VOLTAGE)

IP67: The camera passes a series of strict test on dust and soak. It has dust-proof function, and the enclosure can work normally after soaking in 1m deep water for 30 minutes.



TECHNICAL SPECIFICATIONS | DH-IPC-EBW81230

CAMERA

Image Sensor	1/1.7" CMOS
Max. Resolution	4000 (H) × 3000 (V)
ROM	128 MB
RAM	1 GB
Scanning System	Progressive
Electronic Shutter Speed	Auto/Manual 1/3 s–1/100,000 s
Illumination Distance	Green Up to 15 m (49 ft) / Blue Up to 10 m (33 ft)
Illuminator On/Off Control	Auto/Manual
Illuminator Number	3
Gain Control	Auto/Manual
Noise Reduction	3D NR
Motion Detection	OFF/ON (4 areas, rectangular)
Region of Interest (RoI)	Off/On (4 Zone)
Smart Illumination	Yes
Defog	Yes
Privacy Masking	4 areas

LENS

Lens Type	Fixed-focal
Focal Length	1.98 mm
Max. Aperture	F2.8
Field of View	H:180°V:180°

DORI Distance	Detect 42 m (137.80 ft)
	Observe 17 m (55.77 ft)
	Recognize 8 m (26.25 ft)
	Identify 4 m (13.12 ft)

VIDEO

Compression	H.265+; H.265; H.264+; H.264
Video Standards	Main Stream: 4000×3000@(1–25fps)/2880×2880@(1–25/30fps) Sub Stream: 704×576@(1–25/30fps)/704×480@(1–25/30fps) Third Stream: 1280×960@(1–25/30fps) *The values above are the max. frame rates of each stream; for multiple streams, the values will be subjected to the total encoding capacity.
Stream Capability	3 streams
Video Standards	12M (4000 × 3000); 8M (2880 × 2880); 6M (2880 × 2160); 3M (2048 × 1536); 1.3M (1280 × 960); D1 (704 × 576/704 × 480); CIF (352 × 288/352 × 240)
Bit Rate Control	CBR/VBR
Video Bit Rate	H.265: 3 kbps–9984 kbps H.264: 8kbps–16384kbps
Day/Night	Auto (ICR)/Color/B/W
BLC	Yes
HLC	Yes
WDR	DWDR
White Balance	Auto/Natural/StreetLamp/ Outdoor/Manual/Regional Custom



TECHNICAL SPECIFICATIONS | DH-IPC-EBW81230

NETWORK

Network Port	RJ-45 (10/100/1000 Base-T)
Network Protocol	HTTP; HTTPS; TCP; ARP; RTSP; RTP; UDP; SMTP; FTP; DHCP; DNS; DDNS; PPPOE; IPv4/v6; QoS; UPnP; NTP; Bonjour; 802.1x; Multicast; ICMP; IGMP; SNMP
Interoperability	ONVIF, PSIA, CGI
User/Host	10 Users/20 Users
Storage	NAS; Local PC for instant recording; Mirco SD card 128GB
Browser	IE, Chrome, Firefox, Safari
Management Software	Smart PSS; DSS; Easy4ip
Mobile Client	iOS; Android
Management Software	Smart PSS; DSS; DMSS
Mobile Client	iOS; Android

CERTIFICATION

Certifications	CE (EN 60950: 2000)
	UL: UL60950-1
	FCC: FCC Part 15 Subpart B

PORT

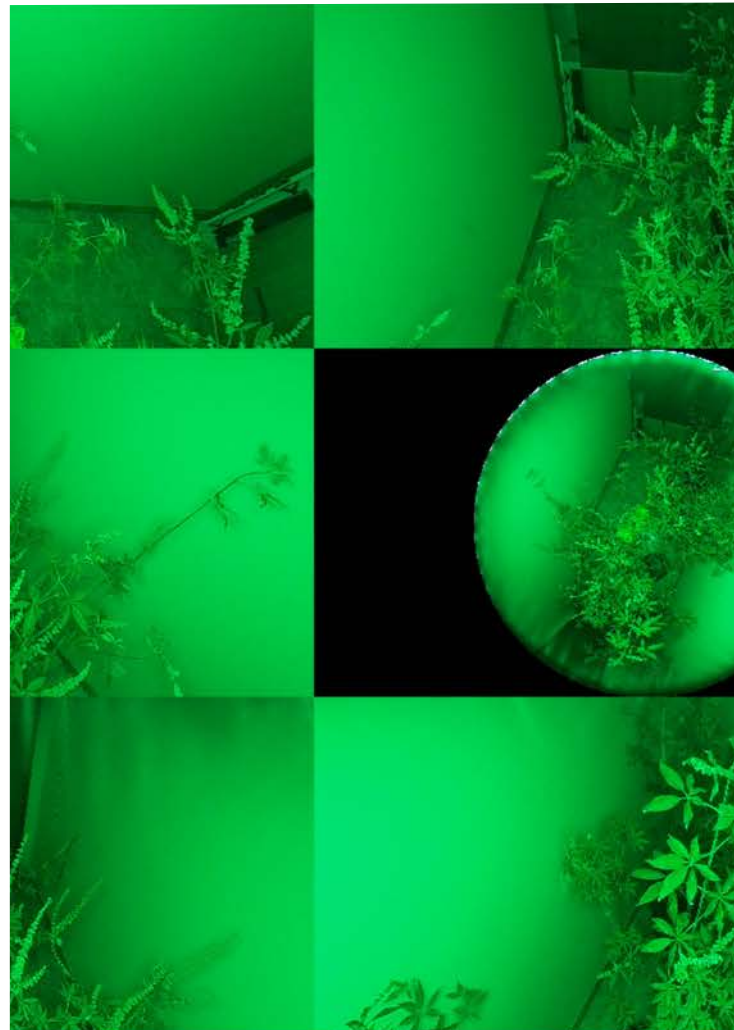
Audio Input	1 channel (RCA port)
Audio Output	1 channel (RCA port)
Alarm Input	2 channels in: wet contact, 5 mA 3–5 VDC
Alarm Output	2 channels out: dry contact, 1,000 mA 30 VDC/500 mA 50 VAC

POWER

Power Supply	12 VDC/PoE (802.3af)
Power Consumption	<12W

ENVIRONMENT

Operating Temperature	–30 °C to +60 °C (–22 °F to +140 °F)
Operating Humidity	0%–95% (RH), non-condensing
Storage Temperature	–30 °C to +60 °C (–22 °F to +140 °F)
Protection	IP67;IK10



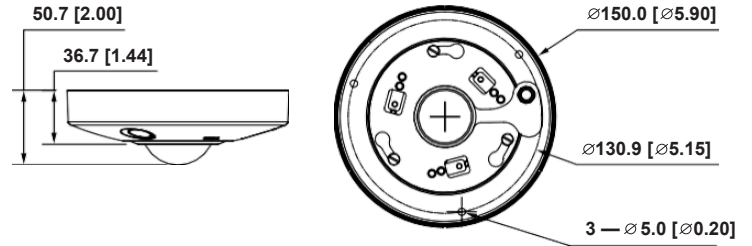


TECHNICAL SPECIFICATIONS | DH-IPC-EBW81230

STRUCTURE

Casing Material	Metal
Product Dimensions	Φ149.8 mm × 47.7 mm (Φ5.9" × 1.88")
Net Weight	0.58 kg (1.28 lb)
Gross Weight	1 kg (2.2 lb)

DIMENSIONS (MM[INCH])



ACCESSORIES (OPTIONAL)



PFA100
Mount Adapter



PFB302S
Wall Mount



PFA152
Pole Mount



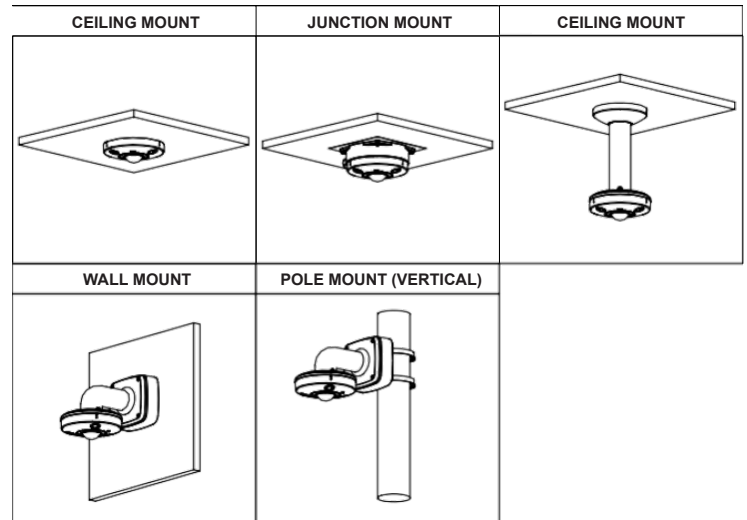
PFA105
Mount Adapter



PFA110
Mount Adapter



PFB300C
Ceiling Mount



ORDERING INFORMATION

Type	Model	Description
12MP Camera	DH-IPC-EBW81230P	12MP Panoramic Network IRFisheye Camera, PAL
	DH-IPC-EBW81230N	12MP Panoramic Network IRFisheye Camera, NTSC
	IPC-EBW81230P	12MP Panoramic Network IRFisheye Camera, PAL
	IPC-EBW81230N	12MP Panoramic Network IRFisheye Camera, NTSC
Accessories (Optional)	PFA100	Mount Adapter
	PFB302S	Wall Mount
	PFA152	Pole Mount
	PFA105	Mount Adapter
	PFA110	Mount Adapter
	PFB300C	Ceiling Mount