

OAT-24

24V Control Board

The OAT-24 module is specifically designed for the Aqua-X Pro Irrigation Control System. It features 12 individual 24V outputs that can control up to 12 individual 24-volt irrigation solenoids.

By using multiple OAT-24 modules, the Aqua-X Pro Irrigation Control System could manage up to 600 individually controlled 24V valves. Each of the solenoid valves can be independently configured by the users with one of the five control modes. Those 5 modes are feed by: Recycle, Schedule, Demand, Volume, or Auto-fill.

With the ability to control up to 600 solenoids using one of the 5 available control modes, users could easily manage irrigation schedules for multiple nutrients, rooms, and irrigation zones.

***NOTE:** If more than one OAT-24 is connected to the NFS Controller, you CAN' T share a common wire from one OAT-24 to another OAT-24.



Specifications

OAT-24

Input Voltage

Input Voltage 100-240V, 50/60Hz

Max Input Current

Max Input Current 1.7A

Max Output Voltage/Current

Max Output Voltage/Current 24VAC/0.5A Per Output

Max Inrush Current 1A

Package Content

OAT-24 1pc

16ft RJ12 Cable 1pc

Power Cable 1pc

13-Pin Phoenix Type Connector 1pc

Working Environments

Temperature 32-122°F (0-50°C)

Humidity ≤90%

Package Dimensions

Size 10.82" /275mm(L) x 6.46" /164mm(W) x 2.55" /65mm(H)

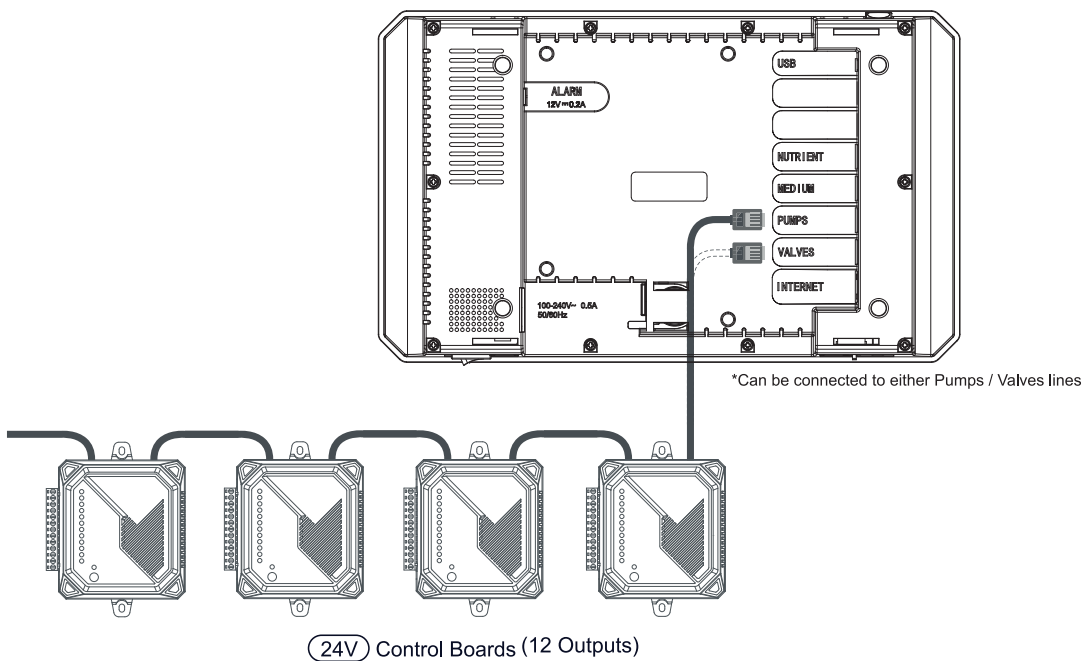
Gross Weight 1.92lbs /870g

Link Up

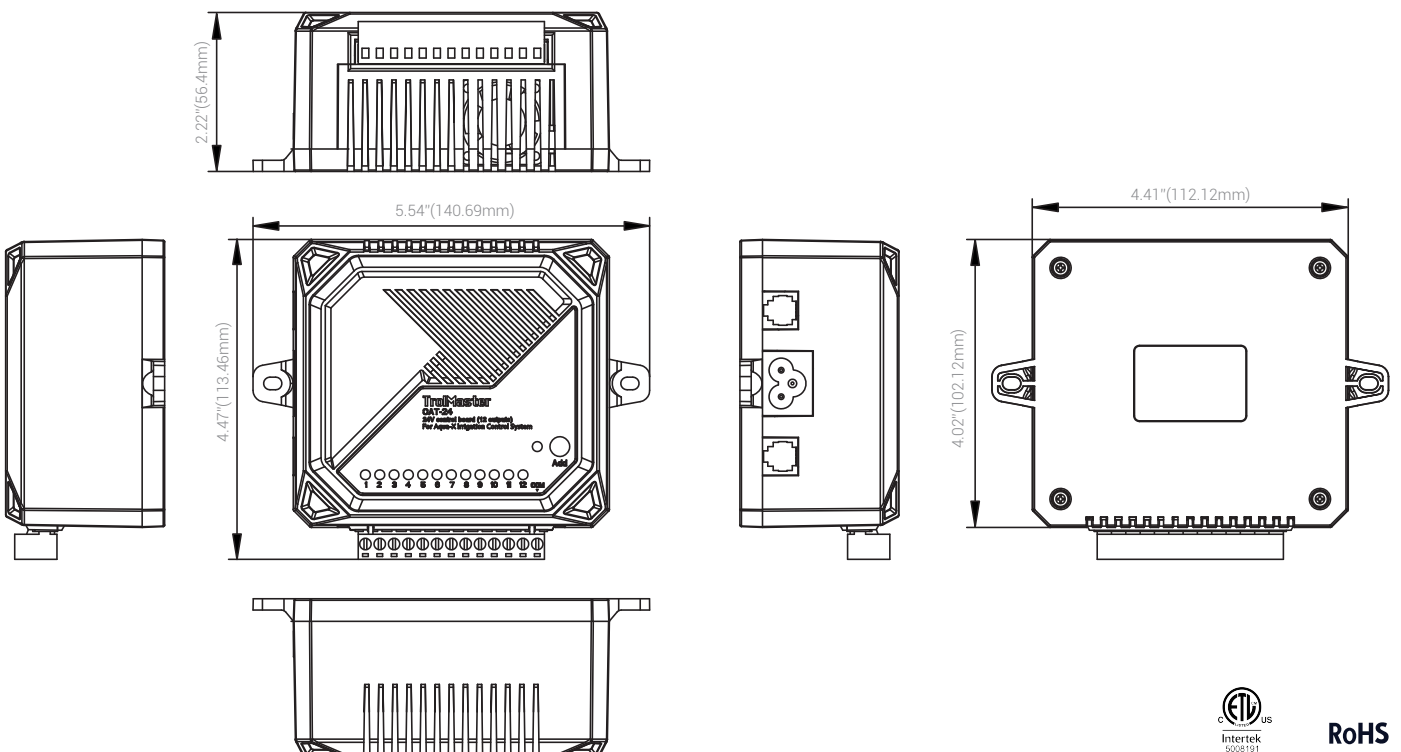
OAT-24

CONNECTION DIAGRAM

(NFS-2)



24V Control Boards (12 Outputs)



RoHS

