



PRODUCT INTRODUCTION

PRODUCT	GreenGlide	DESCRIPTION	Rechargeable GreenGlide
LAST UPDATE	12/7/2023	FILE VERSION	1.0



TECHNICAL SPECIFICATION

DIMENSIONS	36.4mm x 16mm x 69.9mm
TANK CAPACITY	1-5mL
INTERNAL BATTERY	350 mAh
WEIGHT	28g
FLUID INTAKE HOLE	2mm
CHARGING PORT	USB-C
ACTIVATION	Draw Based
RESISTANCE	1.4 Ω
ATOMIZER COIL	Quartz
OUTPUT VOLTAGE	3.7v



MOUTHPIECE CAPPING METHOD

SINGLE PIECE	Handpress
LARGE BATCHES	Custom capping tray can be included

KEY COMPONENTS MATERIAL

MOUTHPIECE	Plastic
TANK	Glass
CENTER POST	Copper
HEATING ELEMENT	Quartz
BATTERY SHELL	PTCG
DEVICE CASING FINISH	Soft touch

COMPATIBLE FLUIDS

- Delta 8
- Delta 9
- Live Resin
- Live Rosin (Low viscosity recommended)
- Hash Rosin
- Liquid Diamonds

OPERATING TEMPERATURE

CHARGING TEMP.	10°C to 45°C / 50°F to 113°F
WORKING TEMP.	0°C to 60°C / 32°F to 140°F
OPERATING HUMIDITY	35% TO 70%

RECOMMENDED FLUIDS

- Delta 8
- Delta 9
- Live Resin

STORAGE TEMPERATURE

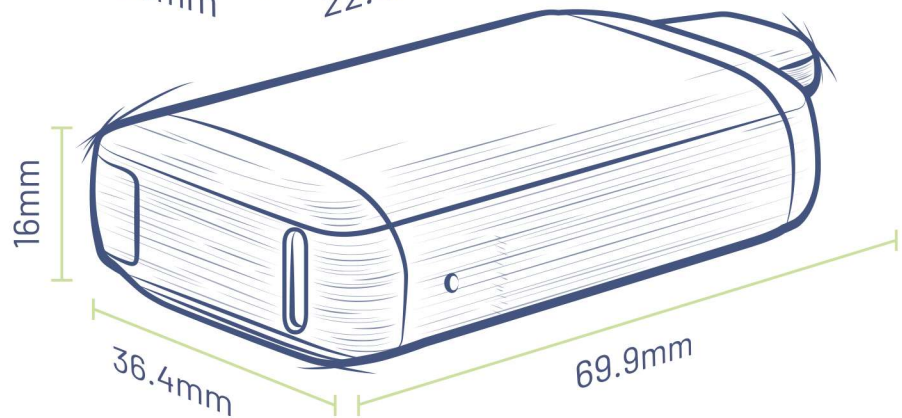
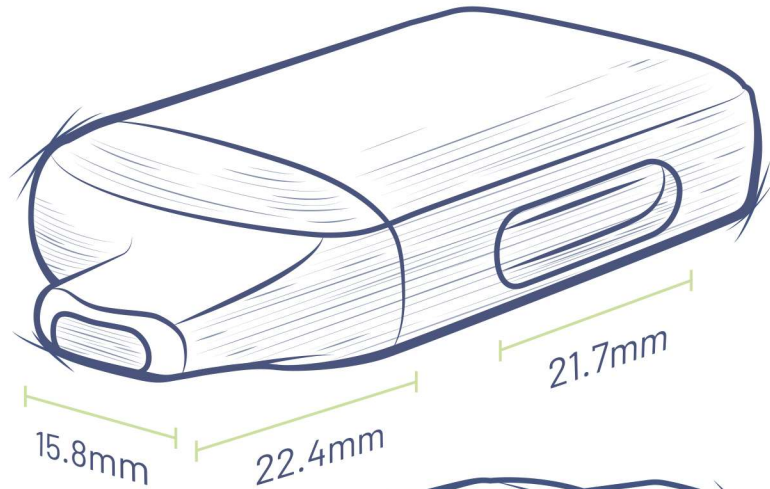
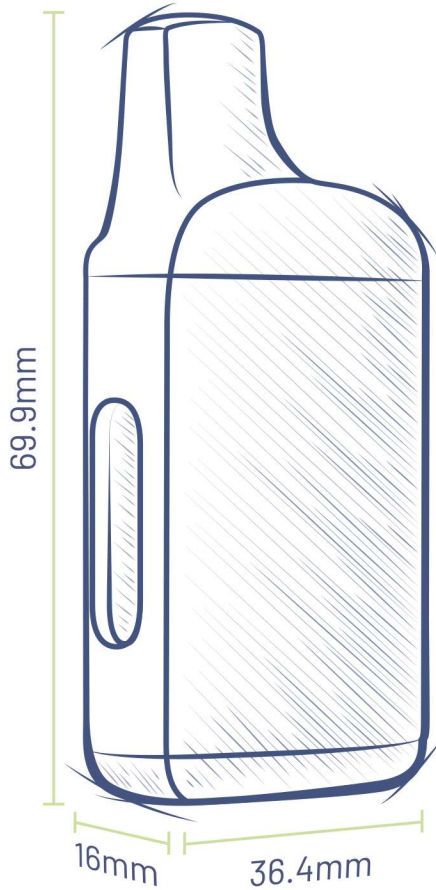
STORAGE TEMP.	20°C to 25° C or 68°F to 77°F
STORAGE HUMIDITY	35% TO 70%

CERTIFICATIONS & LAB TESTS

- ✓ Heavy Metals Test
- ✓ MSDS
- ✓ UL38.3
- ✓ 1.2 Meter Drop Test

CUSTOMIZATION CAPABILITY

- Atomizer Resistance Modification
- Aperture Modification
- LED Light Color Modification
- Customized Logo, Color, and Surface Finish
- Power curve modification



OPERATING INSTRUCTIONS

ACTIVATION	Inhale the device via breath and the device will be actuated automatically. Stop inhaling to deactivate the device.
NOTIFICATION U.I.	The LED light is constantly blue when the device is working.
LOW BATTERY NOTIFICATION	When the battery voltage is lower than 3.2V during inhalation, the blue light flashes.
CHARGING INDICATION	The LED lights up in blue when charging cable is connected, the light turns off when fully charged. The light flashes 3 times in blue when the charger is disconnected.
SHORT-CIRCUIT PROTECTION	The LED Light flashes 3 times when the device detects a short circuit, and this indicates a malfunction.
OVER USAGE PROTECTION	The LED light will flash three times if inhalation exceeds 10 seconds.